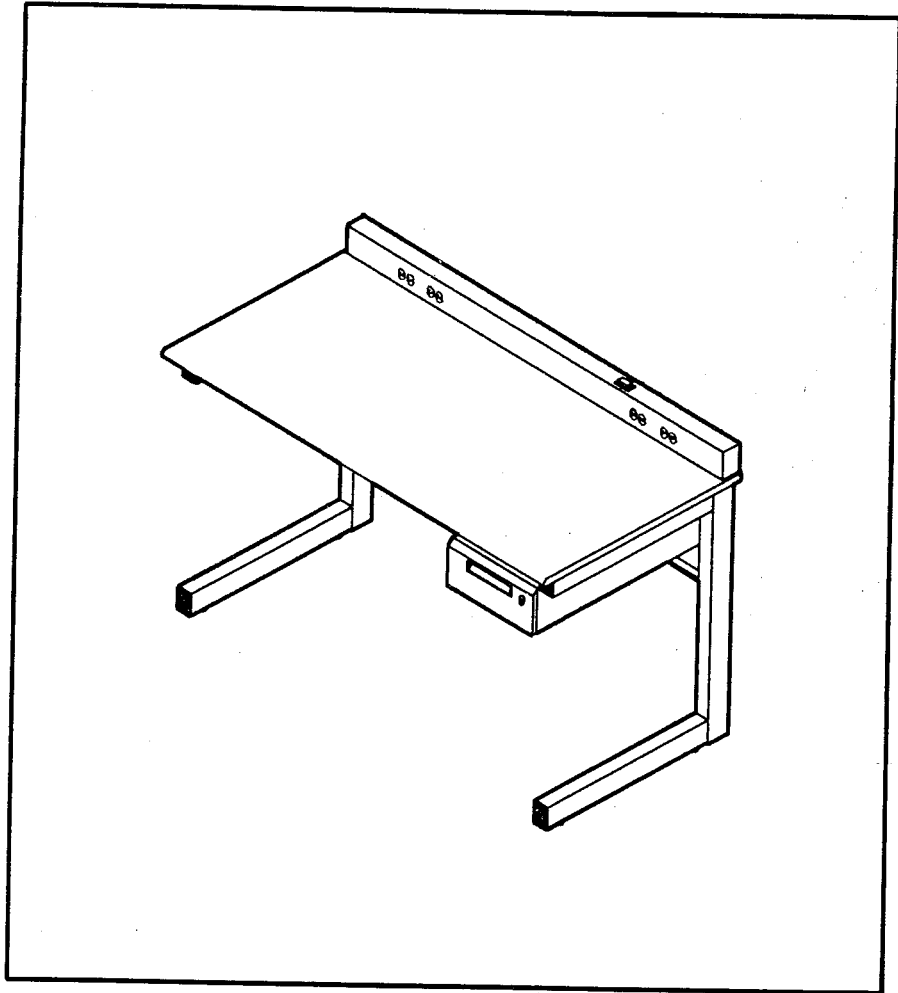


BASIKBench

Selection and Ordering Guide



Effective August 1, 1994



K E W A U N E E

KEWAUNEE SCIENTIFIC CORPORATION

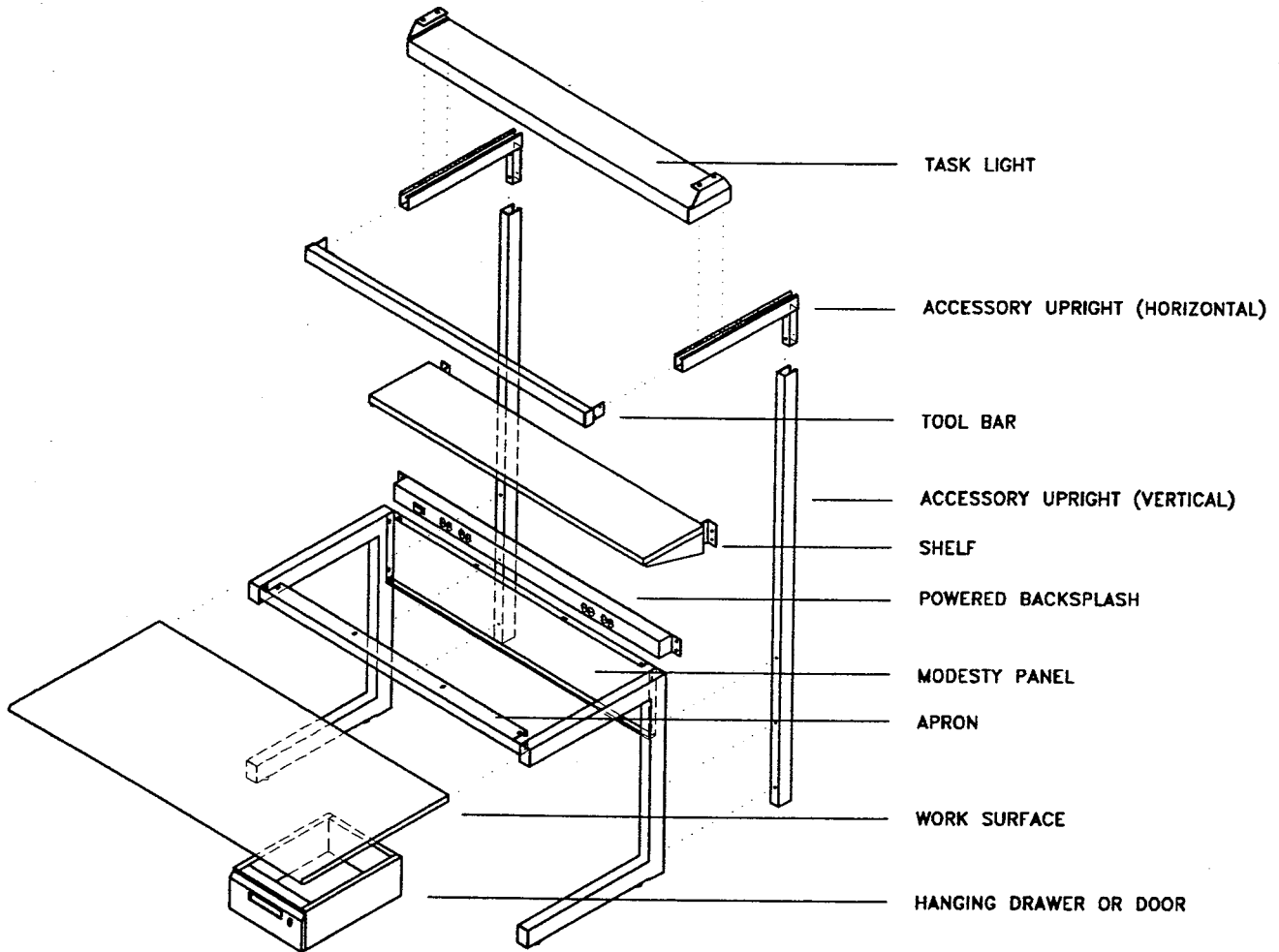
Serving the Technical Workplace since 1906.

Kewaunee offers a complete line of products to make your technical work environment more efficient and productive. Our "systems approach" to technical environment planning provides you with the expertise of our workstation professionals who draw on more than 80 years of experience to design optimum and effective technical workplaces.

TABLE OF CONTENTS

Product Vocabulary	2
How to Select, Specify and Order	3
Basic Workstations	4
Workstation Components	5
Shelving	6
Backsplashes	7
Storage	8
Mobile Pedestals	9
Lighting	10
Bin Bars	11
Parts Bins	11
Tool Bars	12
Foot Rails	12
ESD Options	13
General Ordering Information	14

PRODUCT VOCABULARY



HOW TO SELECT, SPECIFY AND ORDER

Kewaunee recommends the specifications of the room layout be determined in advance of ordering the actual workstations. The end result is a well planned design that meets your requirements, saves money, and provides your personnel with an ergonomically designed, productive work area.

To Begin:

- (1) Measure the allocated space.
- (2) Determine personnel requirements.
- (3) Specify features important for operational requirements.

At any time, contact a local Kewaunee representative from a nationwide service network to provide you with assistance in determining your exact workstation requirements.

Ordering a Workstation:

1. Determine the desired height of the workstation: 36" Technical Height
30" Sit-Down Height
2. Choose the width of the workstation: 48", 60" or 72"
3. Select a worksurface type: Standard, ESD, or Maple
4. Specify the worksurface laminate color with a suffix to the product number:

Example: Product Number 447084

A - Almond Laminate
G - Gray Laminate

5. Specify the painted steel color by handwriting it on the purchase order.

Standard Paint Colors: Sand Tan, Flint Gray, Fashion Blue, White or Black
Customized paint colors are available upon requests. Consult your Kewaunee Representative.

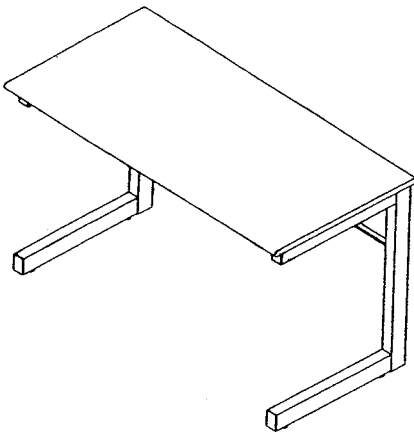
6. Select workstation accessories (ESD options, lighting, shelving, storage...etc.).
7. Record the product number and quantity of each item on the quotation request/purchase order.

BASIC WORKSTATIONS

Basic Workstations include a front radius edge laminate workspace or a square edge maple workspace, front apron, modesty panel, and (2) lower legs.

ESD Workstations are supplied with a grounding kit and static dissipative (ESD) laminate.

Maple workspaces are constructed of 1 1/4" thick, cured maple hardwood and finished with a non-glare, clear lacquer coating.



(Technical) Leg Hgt.	Depth	Overall Width	Std. Laminate*	ESD Laminate*	Approx. Weight
36"	29"	48"	447084_	447088_E	130
		60"	447085_	447089_E	160
		72"	447086_	447090_E	190

(Sit-Down) Leg Hgt.	Depth	Overall Width	Std. Laminate*	ESD Laminate*	Approx. Weight
30"	29"	48"	447074_	447078_E	125
		60"	447075_	447079_E	155
		72"	447076_	447080_E	185

* Specify laminate color with a suffix to the product number:
Laminate Colors: A - Almond or G - Gray

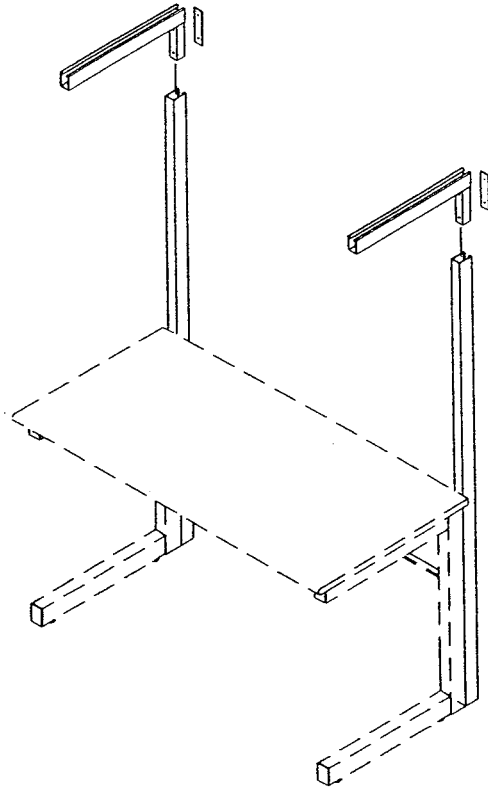
(Technical) Leg Hgt.	Depth	Overall Width	Maple Workspace	Approx. Weight
36"	29"	48"	447084M	135
		60"	447085M	170
		72"	447086M	205

(Sit-Down) Leg Hgt.	Depth	Overall Width	Maple Workspace	Approx. Weight
30"	29"	48"	447074M	130
		60"	447075M	165
		72"	447076M	200

ACCESSORY UPRIGHTS

Accessory Uprights are 76"H painted steel supports supplied in a set of (2). They can accommodate all mounted accessories including Lights, Tool Bars, Shelves, Bin Bars, and Backsplashes.

Accessory Uprights can also be supplied as individual parts when Task Lights or Tool Bars are not an immediate requirement. Vertical Uprights can accommodate Shelves, Bin Bars, and Upright Mounted Backsplashes. Horizontal Uprights can then be added when future requirements involve Task Lights or Tool Bars. Specify (1) set of Uprights below per workstation when ordering. Installation guide and mounting hardware are included.



Accessory Uprights

Description	Product Number	Approx. Weight
Upright Assembly - Set of (2)	447012	25
Horizontal Upright - Set of (2)	447011	7
Vertical Upright - Set of (2)	447013	18

SHELVING

Shelves are available in Painted Steel or Wire. Metal Shelves have a 1 5/8" lip that extends 1/2" above the shelf surface. In a level position, the shelf lip is located in the back and serves as a backstop. In an inclined position (invert brackets), the shelf lip is located in the front and serves as a gravity stop. The shelf lip can be used to hang parts bins. Mounting brackets are included.

Metal Shelves



Depth	Workstation Width	Product Number	Approx. Weight
12"	48"	447062	23
	60"	447063	25
	72"	447064	27

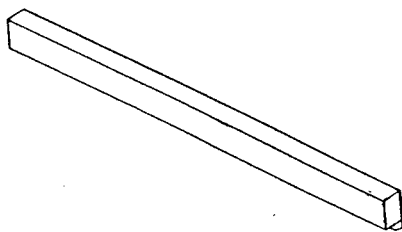
BACKSPLASHES

Powered Backsplashes include 15 or 20 Amp grounded receptacles, on/off switch with built-in circuit breaker, and a 10 ft. power cord. Backsplashes can be mounted between uprights or directly onto the worksurface.

Installation guide and mounting hardware included.

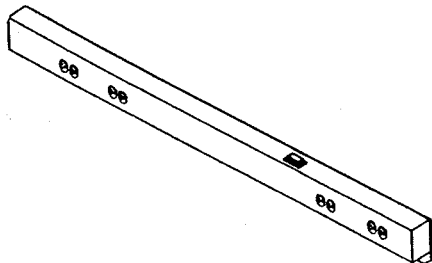
ESD Backsplashes feature dielectric insulation.

Non-Powered Backsplashes Worksurface Mounted Only



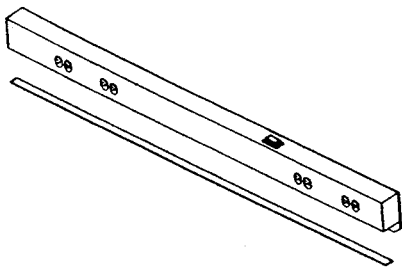
Workstation Width	Standard	ESD	Approx. Weight
48"	4048000	4048000E	9
60"	4060000	4060000E	11
72"	4072000	4072000E	13

Powered Backsplashes Worksurface Mounted Only



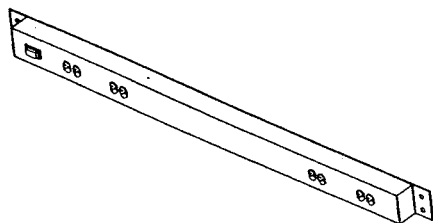
Workstation Widths	Outlets	Amps		Approx. Weight
		15 AMP	20 AMP	
48"	8	4048158	4048208	10
60"	8	4060158	4060208	12
72"	8	4072158	4072208	14

ESD Backsplashes Worksurface Mounted Only



Workstation Widths	Outlets	Amps		Approx. Weight
		15 AMP	20 AMP	
48"	8	4048158E	4048208E	10
60"	8	4060158E	4060208E	12
72"	8	4072158E	4072208E	14

Powered Backsplashes Upright Mounted Only



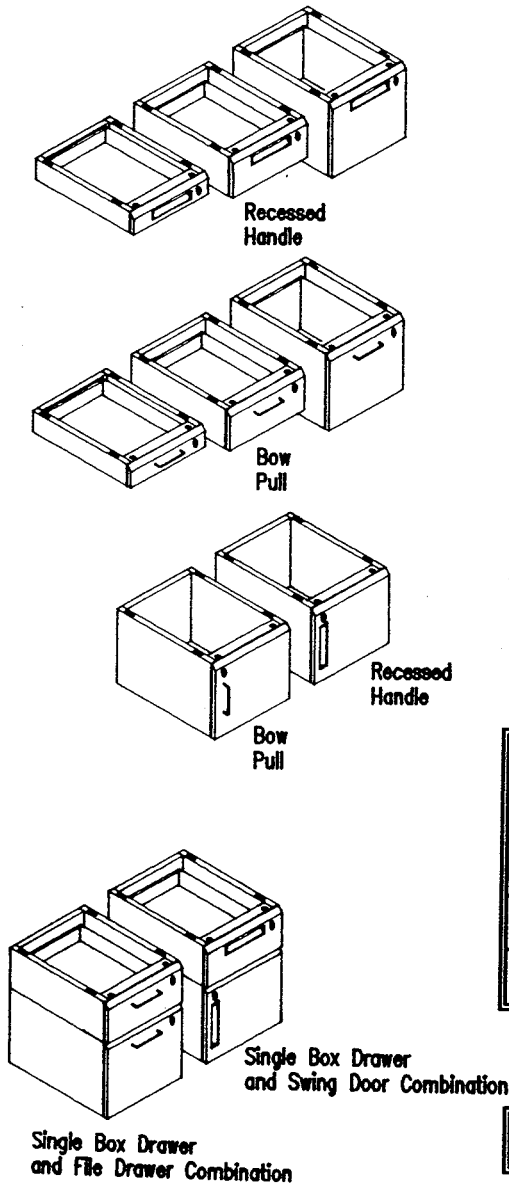
Workstation Width	Outlets	Amps		Approx. Weight
		15 AMP	20 AMP	
48"	8	447094	447104	15
60"	8	447095	447105	20
72"	8	447096	447106	25

STORAGE

All hanging drawers and cabinets are made of steel and feature metal drawer fronts with recessed handle or bow pulls. Personal and Box drawers are suspended with two-member ball bearing slides, and the file drawers are suspended with three-member ball bearing slides.

Include (1) Mounting Bracket for each hanging drawer configuration attaching directly to worksurface.

* All dimensions are nominal



Lockable Hanging Drawers/Cabinets

Description	Inside Dimensions		
	Depth	Width	Height
Personal Drawer	18"	12½"	1½"
Box Drawer	18"	12½"	4½"
File Drawer	18"	12½"	9½"
Left Door Cabinet	19½"	13"	11¾"
Right Door Cabinet	19½"	13"	11¾"

Description	Overall Height	Recessed Handle	Bow Pull	Approx. Weight
Personal Drawer	4"	407400	407401	8
Box Drawer	7"	407402	407403	16
File Drawer	14"	407404	407405	32
Left Door Cabinet	14"	407406	407407	19
Right Door Cabinet	14"	407408	407409	19

Description	Product Number	Approx. Weight
Mounting Bracket	447051	8

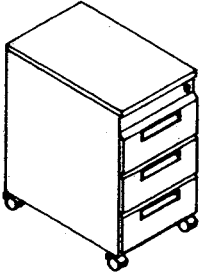
Note:

Please specify keying and color instructions when ordering.
 Drawers can be keyed alike, differently, by workstation or by area.
 Drawer/Cabinet front colors: Sand Tan, Flint Gray, Fashion Blue, White and Black

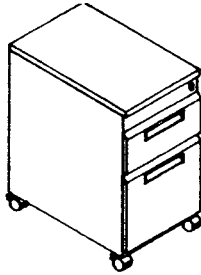
MOBILE PEDESTALS

Mobile Pedestals are made of steel and include a built-in cylinder lock. The pedestals are counterbalanced to protect against tilting and feature casters with a friction brake to prevent inadvertent movement. A top is included with a built-in grip for ease of movement. Inside dimensions are: Personal Drawer 1 5/8"H, Box Drawer 4 1/2"H, File Drawer 9 1/2"H and Door 19 3/4"H. Pedestals are 24" in depth and available in 26" and 29" heights.

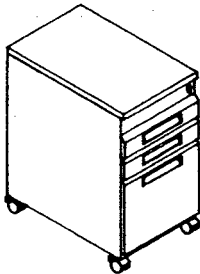
*All dimensions are nominal



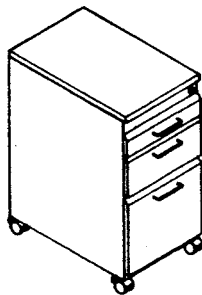
Drawer/Door Configuration	Height	Recessed Handle	Bow Pull	Approx. Weight
3 Box	26"	447160	447170	90



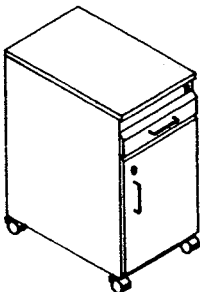
Drawer/Door Configuration	Height	Recessed Handle	Bow Pull	Approx. Weight
1 Box, 1 File	26"	447161	447171	85



Drawer/Door Configuration	Height	Recessed Handle	Bow Pull	Approx. Weight
2 Personal, 1 File	26"	447162	447172	90



Drawer/Door Configuration	Height	Recessed Handle	Bow Pull	Approx. Weight
1 Personal, 1 Box, 1 File	29"	447163	447173	98



Drawer/Door Configuration	Height	Recessed Handle	Bow Pull	Approx. Weight
1 Personal, 1 Door	29"	447164	447174	88

Note:

Please specify keying and color instructions when ordering.

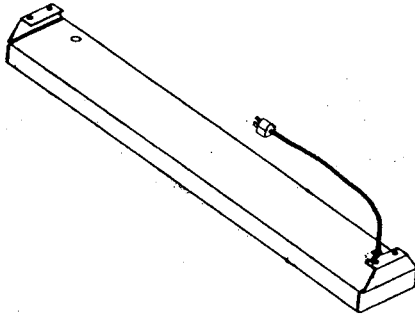
Drawers can be keyed alike, differently, by workstation or by area.

Drawer/Cabinet front colors: Sand Tan, Flint Gray, Fashion Blue, White and Black

LIGHTING

Task Lights mount between the accessory uprights and include an energy saving ballast and on/off switch. Hand knob allows for easy installation to the light fixture bracket. Diffuser offers easy removal for fluorescent tube replacement. Fluorescent tubes, mounting brackets and mounting hardware are included.

Task Lights

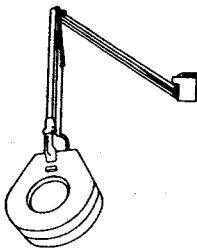


Workstation Width	Product Number	Approx. Weight
48"	447059	24
60"	447060	26
72"	447061	28

Magnifier Lights feature a 5", 3-diopter double convex precision ground lens which produces distortion-free magnification under bright fluorescent illumination. A 42" reach, steel arm with three-way adjustment is included. 6 ft. power cord provided. Available in black and almond.

Include (1) Magnifier Light bracket per Magnifier Light.

Magnifier Lights

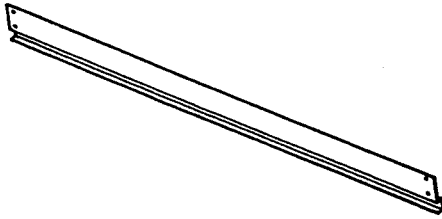


Description	Product Number	Approx. Weight
Magnifier Light - Almond	980030	9
Magnifier Light - Black	980194	9

Description	Product Number	Approx. Weight
Magnifier Light Bracket	447130	2

BIN BARS

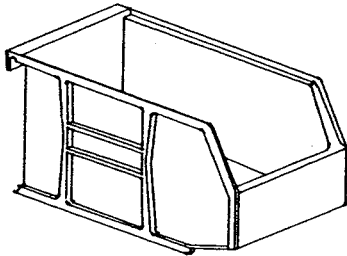
Standard Bin Bars are painted steel. ESD Bin Bars are stainless steel with grounding kit included.



Worksurface Width	Standard	ESD	Approx. Weight
48"	447014	447017	3
60"	447015	447018	4
72"	447016	447019	5

PARTS BINS

Standard Parts Bins



Product* Number	Inside Dimensions			Carton Qty	Approx. Weight
	L	W	H		
ACC30210_	4 3/4"	3 1/2"	2 1/2"	24	10
ACC30220_	6 3/4"	3 1/2"	2 7/8"	24	10
ACC30230_	10 1/4"	4 3/8"	4 3/4"	12	10
ACC30240_	14"	6 1/2"	6 3/4"	12	10

* Specify color preference with a suffix to the product number:
Only one color per carton may be ordered.

Standard Bin Colors: Y - Yellow, B - Blue and R - Red

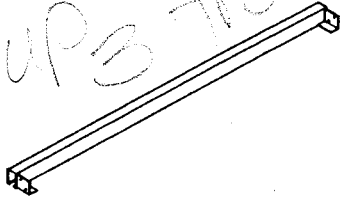
ESD Parts Bins

Product* Number	Inside Dimensions			Carton Qty	Approx. Weight
	L	W	H		
ACC4452	4"	3 1/2"	2 1/2"	1	1
ACC4453	6"	3 3/8"	2 1/2"	1	1
ACC4454	9"	4 3/8"	4 3/8"	1	1

* ESD Bins are available in Black only.
All dimensions are nominal

TOOL BARS

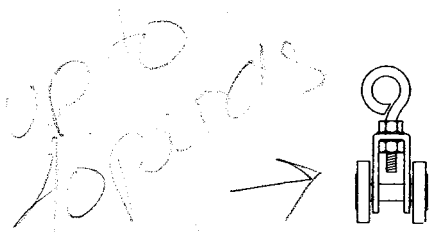
Tool Bars are painted steel. Task Lights and Tool Bars may be mounted on one support kit.



Worksurface Width	Product Number	Approx. Weight
48"	447034	4
60"	447035	5
72"	447036	6

Tool Bar Trolleys

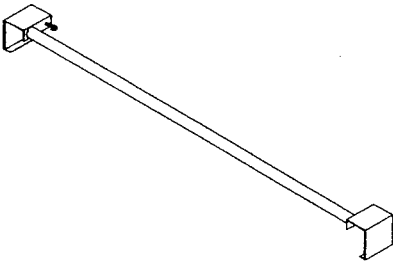
Tool Bar Trolleys include an eye bolt to accept a variety of tool balancers.



Description	Product Number	Approx. Weight
Tool Bar Trolley	407115	1

FOOTRAILS

Footrails are painted steel and feature depth adjustment.



Description	Product Number	Approx. Weight
48"W Footrail	447124	10
60"W Footrail	447125	15
72"W Footrail	447126	20

ESD OPTIONS



The Wrist Strap Grounding System provides grounding of two wrist straps using a common point to ground. It measures 3" X 1 1/2" and mounts easily on the bench. (2) built-in banana jacks and 10 ft. grounding cord are included.

Description	Product Number	Weight
Wrist Strap Grounding Kit	990519	1

The wrist strap ensures all-around skin contact and electrical conductivity. 5 ft. coiled cord included.



Description	Product Number	Weight
Wrist Strap	990517	1

Accessory Grounding Kit can be used with Bin Bars and Shelves.

Description	Product Number	Weight
Accessory Grounding Kit	407200	1

Description	Product Number	Weight
Drawer/Cabinet Grounding Kit	407201	1

ESD Shelf Mats

ESD Shelf Mats are used when a static dissipative surface on a shelf is desired. All necessary grounding hardware included.



Depth	Width	Standard*	Approx. Weight
12"	48"	407206_E	2
	60"	407207_E	2
	72"	407208_E	2

*Specify color preference with a suffix to the product number:

GENERAL ORDERING INFORMATION

Pricing, Terms, and Conditions

Net 30 days with established credit.

All prices are F.O.B. Factory and are subject to change without notice. Due to our continual research and development, changes may occur in product specifications. We reserve the right at any time to alter design and to substitute materials and parts to supply the article which is our standard at time of shipment.

Remit all payments to Kewaunee Scientific Corporation, Technical Products Division, 901 FM 20, P.O. Box 930, Lockhart, Texas 78644. No state or local sales tax, or any other tax that may be levied or assessed upon a sale or purchase of products listed in this ordering guide is included in prices quoted. Any such taxes must be paid by the purchaser, and if, by law, the vendor is chargeable with the collection or payment thereof, the sum must be added as tax to the prices quoted.

Order Confirmation

All orders are acknowledged upon receipt. It is the customer's responsibility to see that the items shown conform to those ordered, and if any discrepancy exists, to notify a Kewaunee Scientific representative immediately. The order acknowledgement is the final agreement between the customer and Kewaunee Scientific Corporation and supersedes all prior documents and may not be modified except by a revised purchase order.

Shipping

All shipments are made "best way" (motor freight, common carrier, UPS) unless otherwise requested in writing. Kewaunee is not responsible for delay in shipment caused by conditions beyond our control. All weights shown are approximate and obtained from standard packaging procedures.

Damage in Transit

Customer should inspect shipment upon receipt. All loss or damage claims must be made against the carrier. No claims for damage may be deducted from invoices.

Returns

Returned merchandise will not be accepted unless first authorized by Kewaunee Scientific Corporation. A 20% restocking charge, plus repair and rehabilitation, and any freight charges incurred will be applied to any return shipment. The customer will be billed for any damaged goods not collectible from the carrier. Return shipments must be prepaid and returned via same delivering carrier(s).

Colors

Standard paint colors for Sturdilite Technical Workstations are Sand Tan, Dove Gray, Flint Gray, Metallic Gray, Ice Blue, Fashion Blue, Navy, Burgundy, Mocha, Black and White. Customized colors are available upon request.

Assembly

Some assembly is required. Instruction manuals will accompany all orders.

Specifications

A complete set of product specifications is available upon request. All dimensions listed are nominal.

Special Product Requests

If quantities or circumstances warrant, we will be pleased to quote pricing on custom products. Send drawings and specifications Attn: Kewaunee Customer Service Department. Lead time will normally increase and custom orders are noncancellable.

How to Order

Purchase orders are to be made to Kewaunee Scientific Corporation, Technical Products Group. The mailing address is as follows:

Kewaunee Scientific Corporation

2700 West Front Street
Statesville, NC 28677-2927

P.O. Box 1842
Statesville, NC 28687-1842

TECHNICAL PRODUCTS TOLL-FREE (800) 824-6626